

IF IN DOUBT ASK
DO NOT SCALE

A

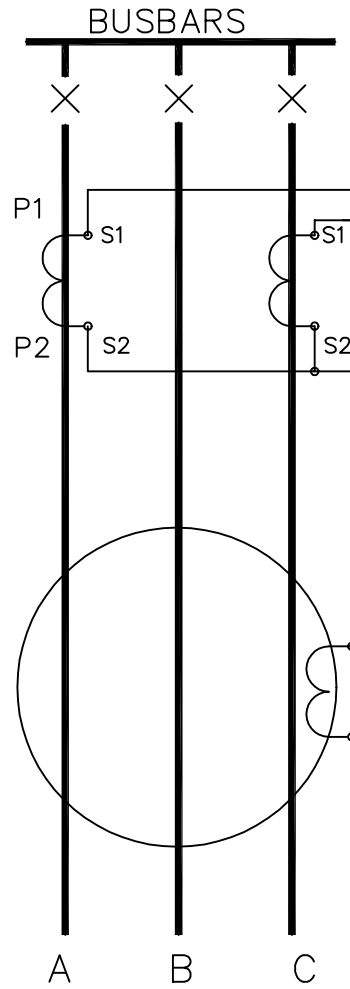
B

C

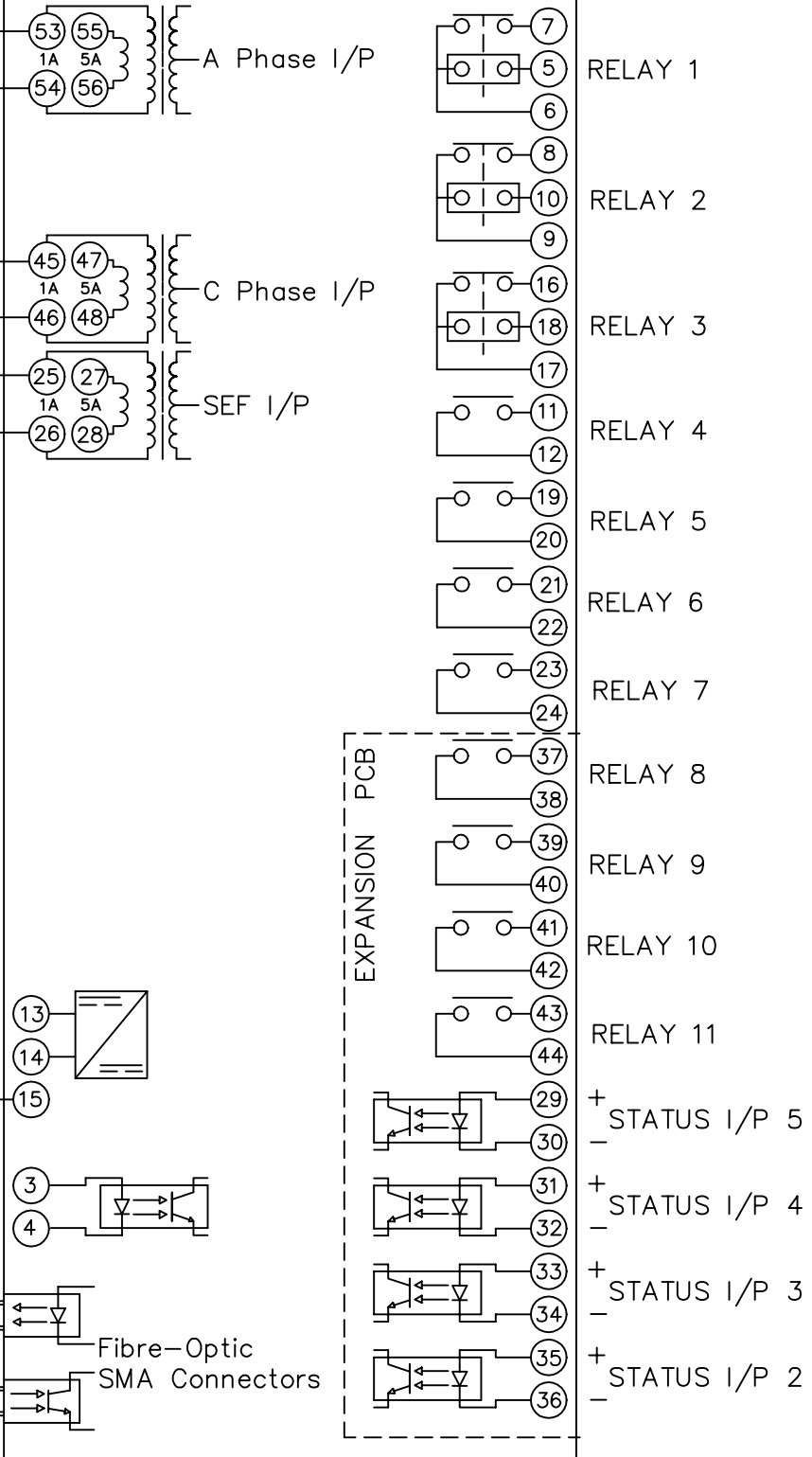
D

E

F



DCD32x B R6 Case Size

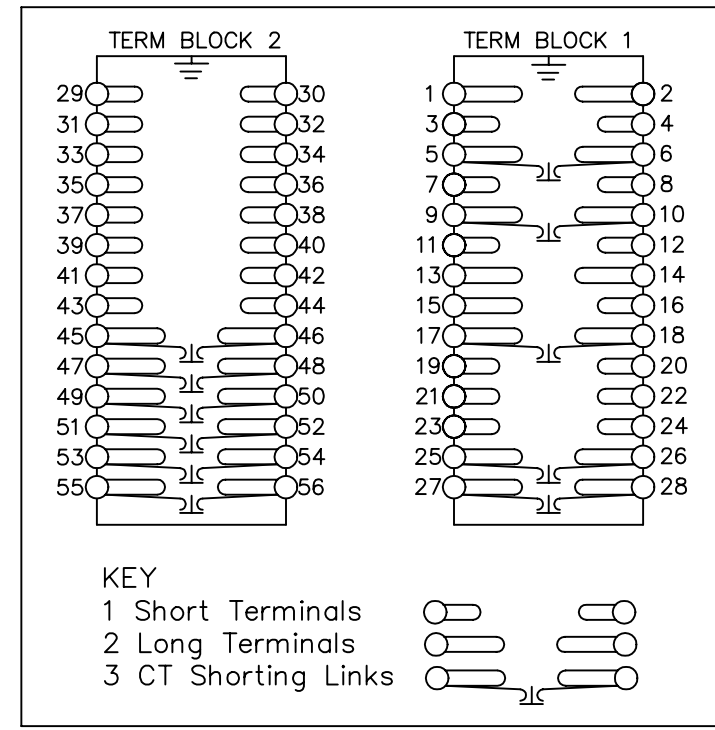


NOTES

- 1 CT CIRCUITS ARE SHOWN CONNECTED TO RELAY 1 AMP TAP. USE ALTERNATIVE TAP FOR 5AMP RATED CTs.
- 2 CT & EARTH CONNECTIONS ARE TYPICAL ONLY.
- 3 METROSIL & SETTING RESISTORS ARE REQUIRED FOR HIGH IMPEDANCE & RESTRICTED E/F APPLICATIONS.
- 4 FOR TERMINAL DIAGRAM SEE 2434W20001 (A2)
- 5 DRG SHOWS OPTION A (7 O/P. 1 I/P). DRG SHOWS OPTION B (11 O/P. 5 I/P).

NOT SUBJECT TO UPDATE
ONCE COPIED / PRINTED
OR DOWNLOADED

TERMINAL BLOCKS VIEWED FROM REAR



MATERIAL:

Dimensions in millimetres : Surface texture in micrometres.
Machine where marked ✓
For explanation of dimensions, tolerances, notes etc. see B.S.308.
Limit on untoleranced unmachined dimensions ± _____
Limits on untoleranced machined dimensions to B.S.4500;
i.e. up to 6±0.1; over 30 to 120±0.3; over 315±0.8;
over 6 to 30±0.2; over 120 to 315±0.5;
General unmachined angular tolerance ± _____

Finish: _____
Treatment: _____

Title: TYPICAL SCHEMATIC DIAGRAM FOR 2 PHASE + SEF.
DCD OVERCURRENT RELAY

Reyrolle Protection
Hebburn.

Original Scale: NTS

First used on: _____
Similar Articles: 2434W10032
Supersedes: _____
Drg. No. 2434W10018

Copyright © Reyrolle Ltd. ISSUE DATE NOTED

DRAWN M LEASK	CHECKED	APPROVED R.D.WATSON	DATE 23/07/02	IE	OPS	PCP	Purch.Spec. TQ	EAC	CE	STD	A3
---------------	---------	---------------------	---------------	----	-----	-----	----------------	-----	----	-----	----